



Instruction manual 30 Ton Shop Press T61230b



Authorized Representative

KB Global sp z o.o.
ul. Grunwaldzka 257
85-438 Bydgoszcz
NIP: 554 289 63 37
tel. +48 509 842 703
tel./fax 52 348 78 23

PARAMETER

CAPACITY..... 30 TON
RAM STROKE..... 135 MM
WIDTH..... 500MM

FEATURE

1. Used for parts straightening, bending and pressing.
2. Multi-position bed for work height adjustment.
3. With air pump can reduce labor and improve working efficiency

OPERATION

1. Place work piece on bed frame.
2. Locate and close release valve.
3. Pump handle until the ram nears work piece.
4. Apply load to work piece by pumping handle. **Do not overload work piece.**
5. Remove load from work piece by turning release valve. Stabilize work piece so it does not fall while pressure is released.
6. Remove work piece after ram is fully retracted.

WARNING

1. This press is designed and intended for use by properly trained and experienced personnel only. If you are not familiar with the proper and safe operation of a hydraulic press, do not use until proper training and knowledge has been obtained.
2. Do not operate this press beyond its rated capacity.
3. DO NOT compress springs or other objects that could be ejected from the press. DO NOT compress objects that could shatter.
4. Please understand the max. working stroke before operate, Do not overload the max. working stroke, so as not to damage parts.
5. Check the press for loose or damaged parts before each operation. Replace damaged parts and tighten all loose bolts before operating.
6. Some parts being pressed may have a tendency to pop out of the press or explode under pressure. Protect yourself accordingly.

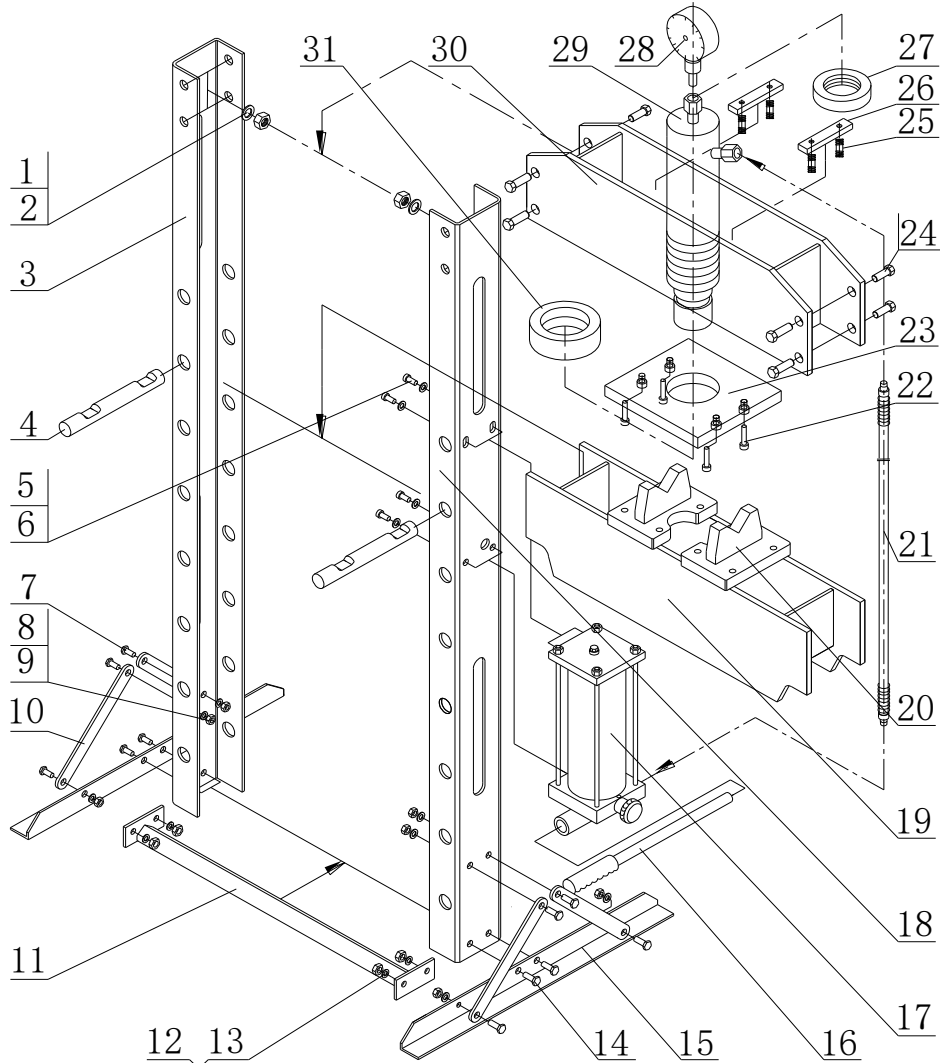
MAINTENANCE

1. Periodically, lightly oil all moving parts including the pump piston and hydraulic ram.
2. Check hydraulic connections and hoses before each use. Do not use if cut, damaged, leaking or otherwise damaged connections and/or hoses are noted.

PARTS LIST

PART NO.	Description	Qty	PART NO.	Description	Qty
1	Washer Φ 16	8	17	Pump	1

2	Nut M16	8	18	Pole(Right)	1
3	Pole(Light)	1	19	Working Table	1
4	Force sticker	2	20	Arbor Plate	2
5	Bolt M10X15	4	21	High Pressure Hose	1
6	Washer Φ 10	4	22	Bolt M8X65	4
7	Bolt M10X25	8	23	Fixed Plate	1
8	Washer Φ 10	8	24	Bolt M16X35	4
9	Nut M10	8	25	Pressure Spring	4



Dear Customer!

KB GLOBAL thanks you and congratulates you on your purchase. Please note that a warranty of 12 months from the date of purchase is provided for the product you purchased. This Warranty

Card is only valid with the seller's proof of sale or the seller's signature and stamp. As part of the warranty period, all defects will be reassessed free of charge, provided that they are caused by manufacturing or technical defects of the product and when the device has been used for its intended purpose and with the requirements of the user manual. Please read the detailed warranty conditions.

This warranty does not exclude or limit the buyer's rights arising from the non-conformity of the goods with the contract.

Warranty card number

FILLED BY SELLER

Date of sale of the product (in the absence of an entry, a proof of sale must be attached)
Product name and symbol
Customer*) Customer Address
Seller's stamp and signature (in the absence of a stamp and signature, the Guarantor, i.e. KB GLOBAL, is considered to be the Seller Anna Bednarz on the basis of proof of sale)
Customer Signature

Please note that without completing all of the above points, the warranty card is void!

Service Repairs

Lp.	Description of the repair	Date, signature and stamp

****) The owner of the equipment making claims under the guarantee is obliged to provide personal data in accordance with Art. 23 paragraph 1 point.3 of the Personal Data Protection Act of 29.07.1997, as amended. D***

COLLECTION PROTOCOL

I hereby confirm the reception of the device according to the following specifications on.....

The received device is complete and in accordance with the order.

Order specification		Pieces
1		
2		
3		
4		
5		

Date Stamp and signature of the buyer

.....

Receipt for Guarantor of receipt of guarantee card NO ;

Warranty Card No-..... Serial No. -.....

Name, Surname, buyer's address, phone number

Date of sale

I confirm receipt of the GOODS and the warranty card, which I have read and accepted the warranty conditions:

.....

Date and legible signature of the buyer

For distance purchases, this voucher must be returned to the guarantor within 14 days from the date of purchase of the device.

Warranty Terms

1. KB GLOBAL hereinafter referred to as the Guarantor provides a guarantee for the smooth operation of the above-called equipment within 12 months from the date of purchase. This guarantee covers:

- a) Spare parts
 - b) Design elements of the device
 - c) Arrival of an authorized KB GLOBAL service technician to correct defects.
2. The warranty for the device, sold outside the RP, covers only spare parts, unless otherwise specified.
 3. The warranty does not cover defects caused by:
 - a) wear, abuse, overload, improper installation or failure to carry out regular maintenance.
 - b) customer's negligence or conduct inconsistent with the instructions in the user's manual.
 - c) failure to comply with the operating instructions, failure to comply with the frequency of maintenance work specified by the manufacturer, poor power source (rotating field, rated voltage, etc.) or improper use (overload, installation outside the closed building, technical changes) or improper installation.
 - d) Damage to the equipment due to fire, flood, lightning or other natural disasters, wars, civil unrest, accidents, power grid surges, improper electrical connections, mechanical damage to varnish, corrosion caused by pressurized washing or discontinuation of maintenance or lack of purification.
 4. KB GLOBAL is not responsible for damage to the equipment during transport (in case the transport is not outsourced by KB GLOBAL). The Recipient is obliged to check the visual condition of the device and in case of defects the Recipient is obliged to immediately report this fact to KB GLOBAL or the Distributor. Please write down the damage report with the Courier delivering the device at the time of delivery.
 5. In the event of damage to the equipment during the warranty period, the Guarantor will provide a free repair or replacement of the damaged parts after checking the validity of the complaint. The repair time shall not exceed 30 days from the date of written or e-mail notification of the failure.
 6. Specialist repairs requiring components to be brought in from abroad: in this case, the repair time can be extended by another 30 working days. The method of repair is determined by the Guarantor.
 7. Devices that require adjustment or maintenance from time to time, as described in the device manual, may be performed by the User, unless otherwise stated in the manual.
 8. Any damage caused by the operation and maintenance of a device not in accordance with the instructions, improper transport, operation of the device in climatic conditions not in accordance with the instructions or other causes caused by the User may be repaired at his expense.

9. In the event of an unjustified complaint, the User shall bear the costs incurred by the Guarantor, which consist of: commuting, the cost of technical inspection, the cost of the listed components, the cost of round-trip courier transport.
10. The device owner is responsible for all maintenance activities of the device.
11. Devices fitted with electronic components shall be stored as well as used in rooms where the air temperature is between + 8 and 25 degrees C.
12. KB GLOBAL reserves the right to refuse free service in the absence of a warranty card.
13. In case of purchase of the device/equipment at a distance, the Buyer undertakes to send back to the Seller/Guarantor page III - the collection protocol and receipts for the Guarantor. In case of non-receipt of the protocol and receipt, the Guarantor may refuse to provide a free service.
14. Any complaint must first be submitted to serwis@castex.pl or via [the https://KBGLOBAL.pl/formularz-reklamacyjny/](https://KBGLOBAL.pl/formularz-reklamacyjny/) website to contact you. The application must include data such as the type of device, model, applicant's details, date of purchase and FV number, and the address of the place where the device is located.